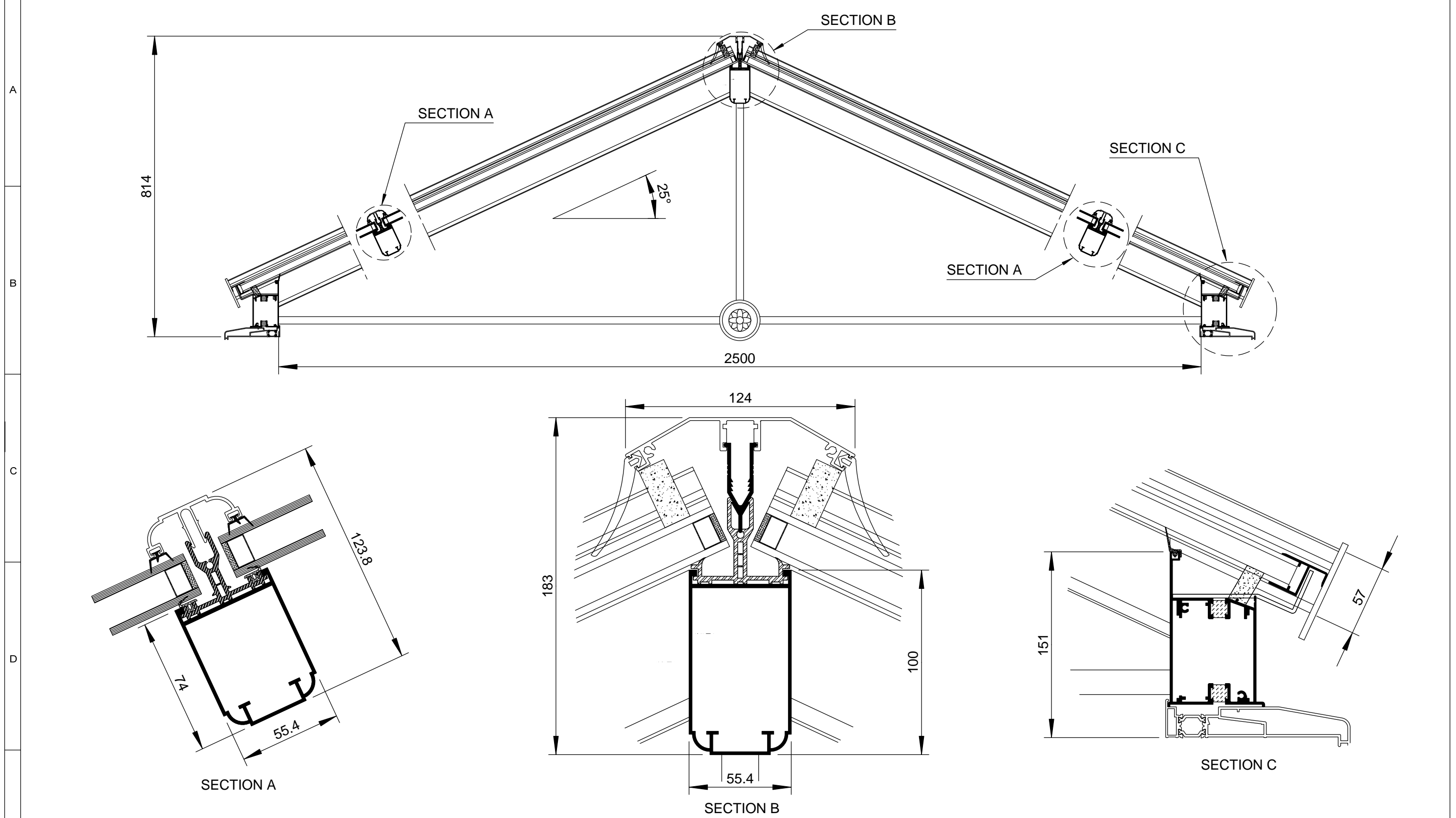


DRG No. SK-080522	ISSUE No. 1	SHEET SIZE A3	IF IN DOUBT ASK		THIRD ANGLE PROJECTION	NOT TO SCALE	DEBURR SHARP EDGES
1	2	3	4	5	6		



ISSUE	REMARKS & MODIFICATIONS	DRN	CHK	DATE	Designer Construction Ltd 91 Ashacre Lane Worthing, Sussex, BN13 2DE Tel: (01903) 831333 Fax: (01903) 830724		TITLE "PERSPECTIVE" ROOF SECTION		DRG No. SK-080522	ISSUE No. 1
.	<small>THIS DRAWING IS THE PRIVATE PROPERTY OF DESIGNER CONSTRUCTION LTD. IT MUST NOT BE LOANED, COPIED OR REPRODUCED WITHOUT PRIOR CONSENT OF DESIGNER CONSTRUCTION LTD</small> GENERAL TOLERANCE IN ACCORDANCE WITH ISO 2768-m UNLESS STATED ALL DIMENSIONS IN mm UNLESS STATED		MATERIAL N / A	FINISH N / A	SCALE N.T.S	
.			SHEET No. 1 OF 1			
.			DRAWN A.MCCREANNEY			
.			DATE 22-05-08			
.			CHECKED .			