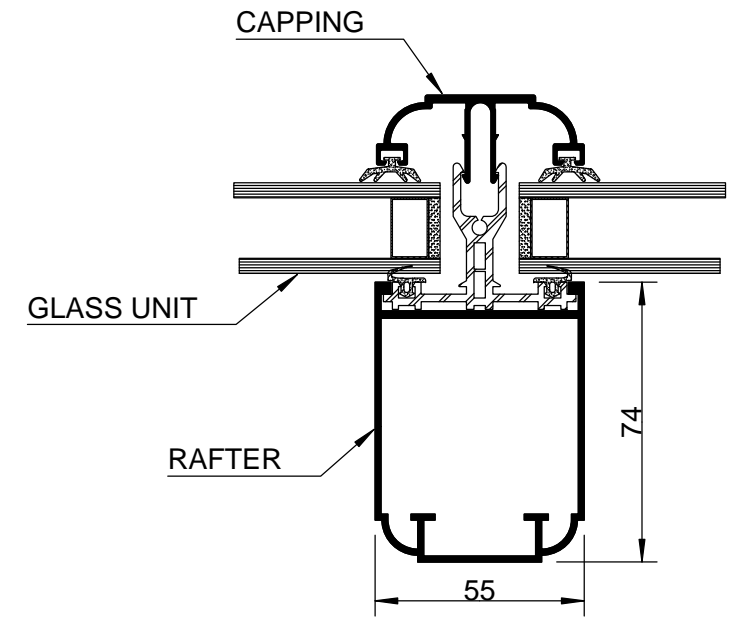
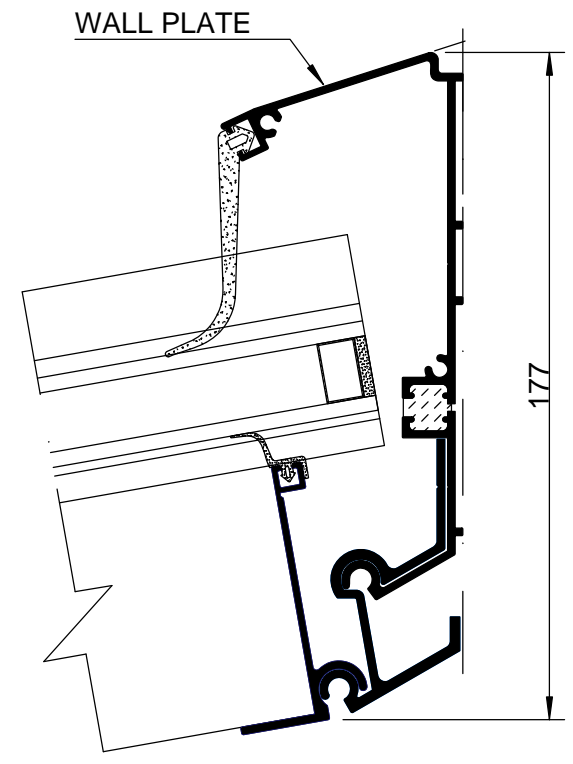
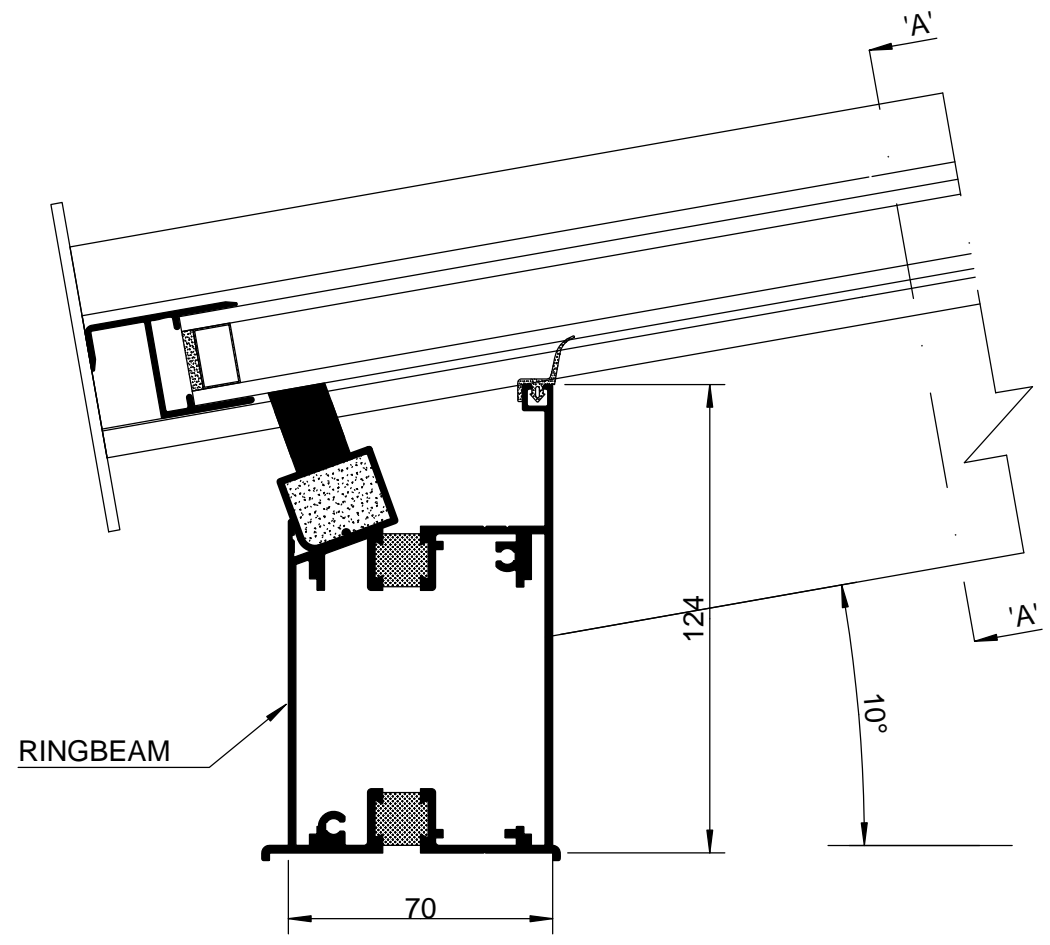


A
B
C
D
E

END SECTION THROUGH LEAN-TO ROOF



**SECTION 'A' - 'A'
RAFTER (OVOLO) SECTION**

ISSUE	REMARKS & MODIFICATIONS	DRN	CHK	DATE	TITLE	DRG No.	ISSUE No.	
2	DIMENSIONS ADDED	DW	.	12-09-06	Designer Construction Ltd 91 Ashacre Lane Worthing, Sussex, BN13 2DE Tel:(01903) 831333 Fax:(01903) 830724 <small>THIS DRAWING IS THE PRIVATE PROPERTY OF DESIGNER CONSTRUCTION LTD. IT MUST NOT BE LOANED, COPIED OR REPRODUCED WITHOUT PRIOR CONSENT OF DESIGNER CONSTRUCTION LTD</small> <small>GENERAL TOLERANCE IN ACCORDANCE WITH ISO 2768-m UNLESS STATED</small> <small>ALL DIMENSIONS IN mm UNLESS STATED</small>	SK102	2	
						MONOPITCH SECTION	SCALE	N.T.S.
						MATERIAL	FINISH	SHEET No.
								1 OF 1
								DRAWN
							D.WAINE	
							DATE	
							01-07-06	
							CHECKED	
							.	