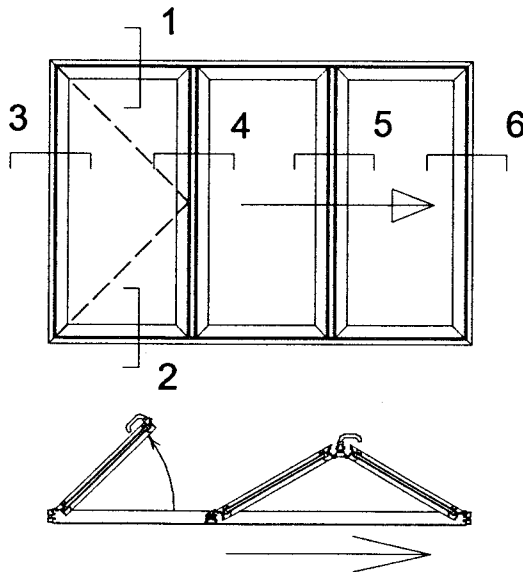


TYPICAL CONFIGURATIONS:

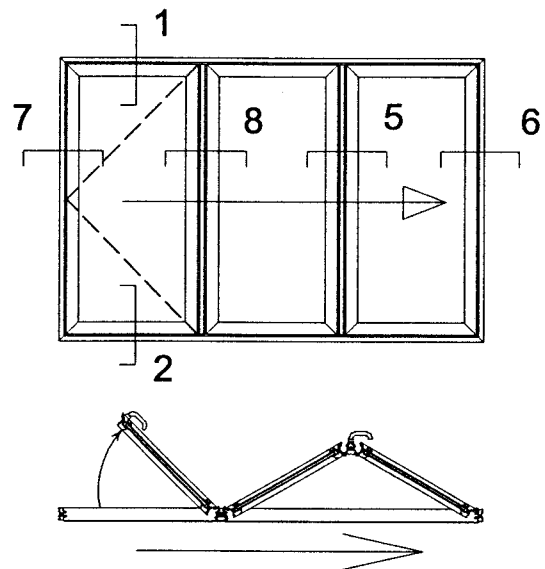
TYPE i

INWARD OPENING

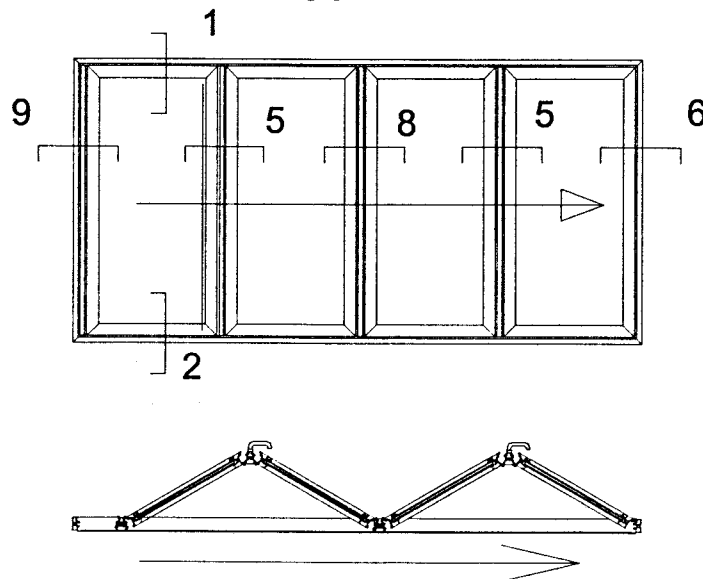
Type 1i



Type 2i



Type 3i

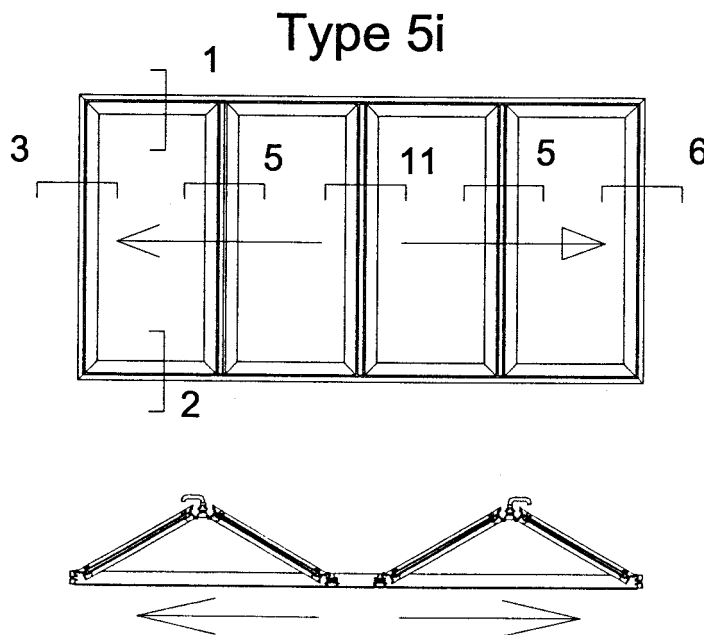
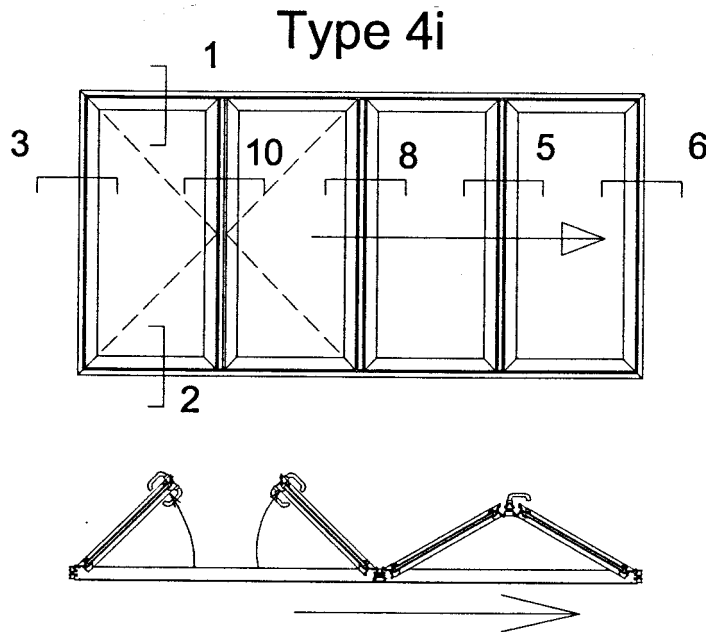


**POLYAMIDE THERMAL BREAK—INWARD or OUTWARD OPENING OPTIONS
SECURITY LOCKING—P.P.C. FINISH in RAL COLOURS**

TYPICAL CONFIGURATIONS:

TYPE i

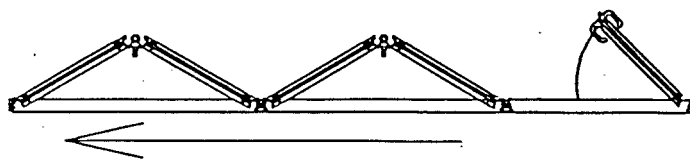
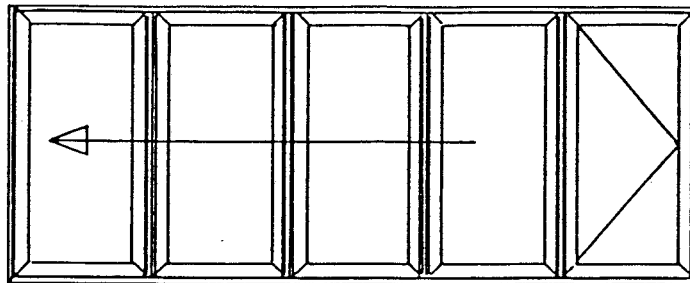
INWARD OPENING



**POLYAMIDE THERMAL BREAK—INWARD or OUTWARD OPENING OPTIONS
SECURITY LOCKING—P.P.C. FINISH in RAL COLOURS**

TYPICAL CONFIGURATIONS:

'1+4 Option' door opening format.
Lead door can be at either end.



- Powder coated aluminium
- Polyamide thermal break
- Key cylinder & Shoot bolt locking

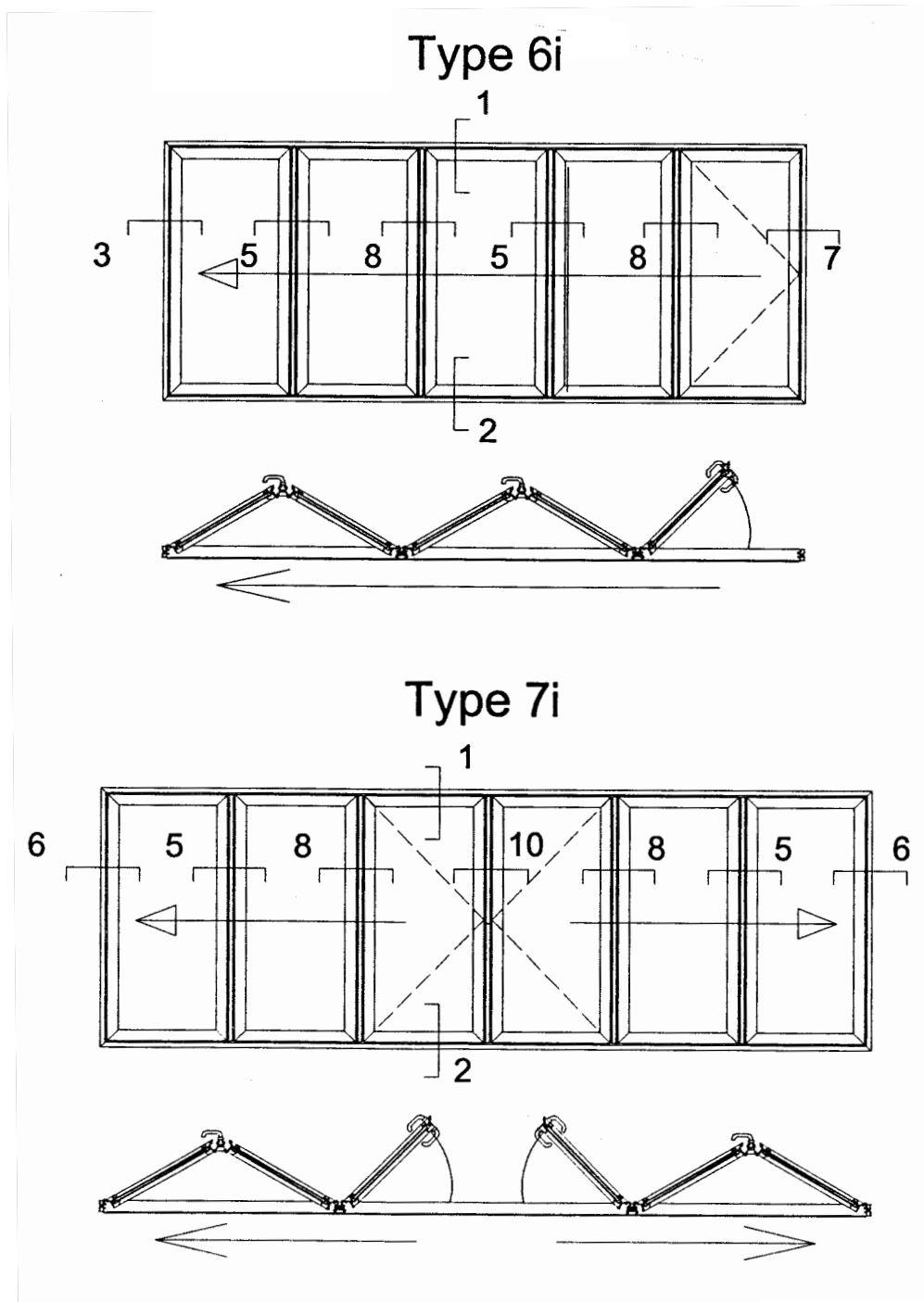
"PERSPECTIVE 70MM" FOLDING DOOR SYSTEM

"Engineered Products for Living Daylight"

TYPICAL CONFIGURATIONS:

TYPE i

INWARD OPENING



**POLYAMIDE THERMAL BREAK—INWARD or OUTWARD OPENING OPTIONS
SECURITY LOCKING—P.P.C. FINISH in RAL COLOURS**

DESIGNER CONSTRUCTION LTD

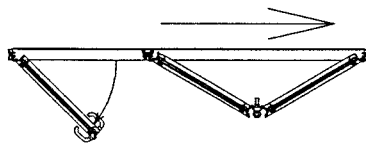
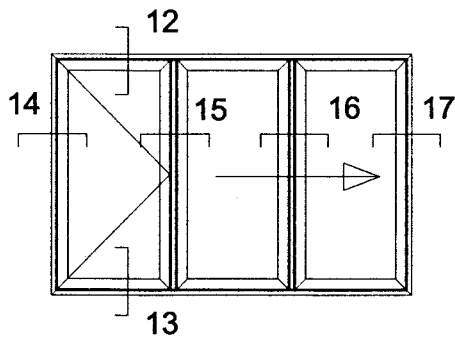
91 ASHACRE LANE, WORTHING, SUSSEX, BN13 2DE TEL: 01903 831333 - FAX: 01903 830724

TYPICAL CONFIGURATIONS:

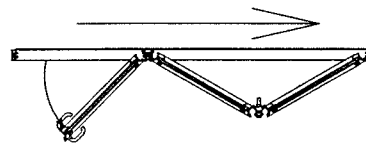
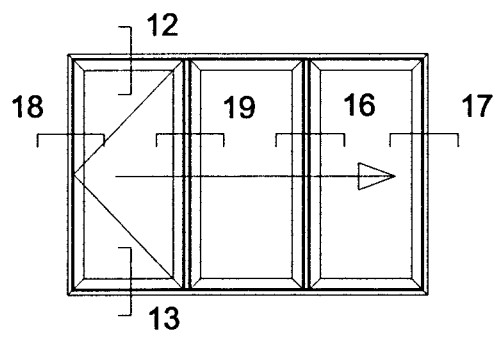
TYPE e

OUTWARD OPENING

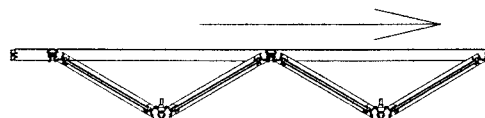
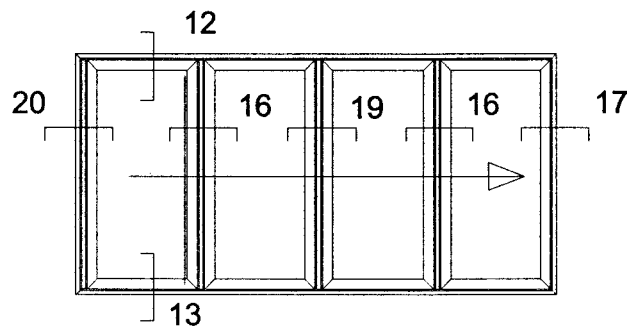
Type 1e



Type 2e



Type 3e



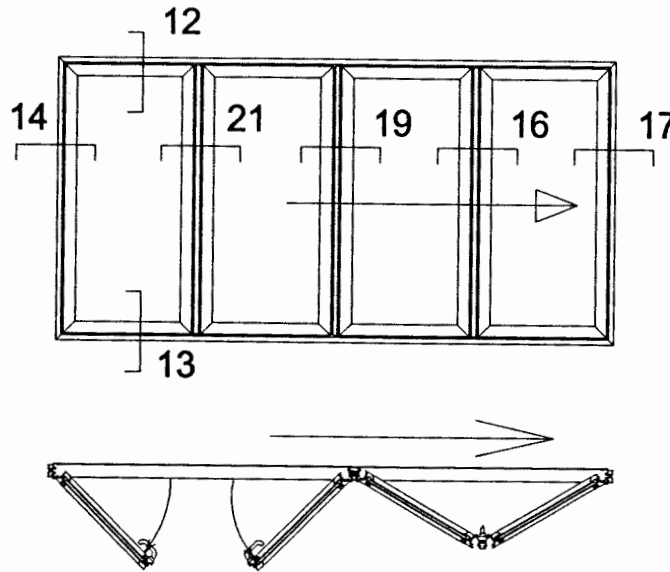
**POLYAMIDE THERMAL BREAK—INWARD or OUTWARD OPENING OPTIONS
SECURITY LOCKING—P.P.C. FINISH in RAL COLOURS**

TYPICAL CONFIGURATIONS:

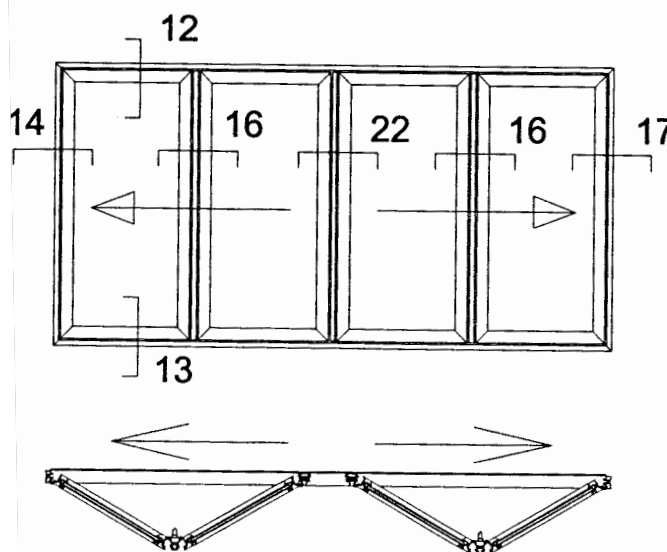
TYPE e

OUTWARD OPENING

Type 4e



Type 5e

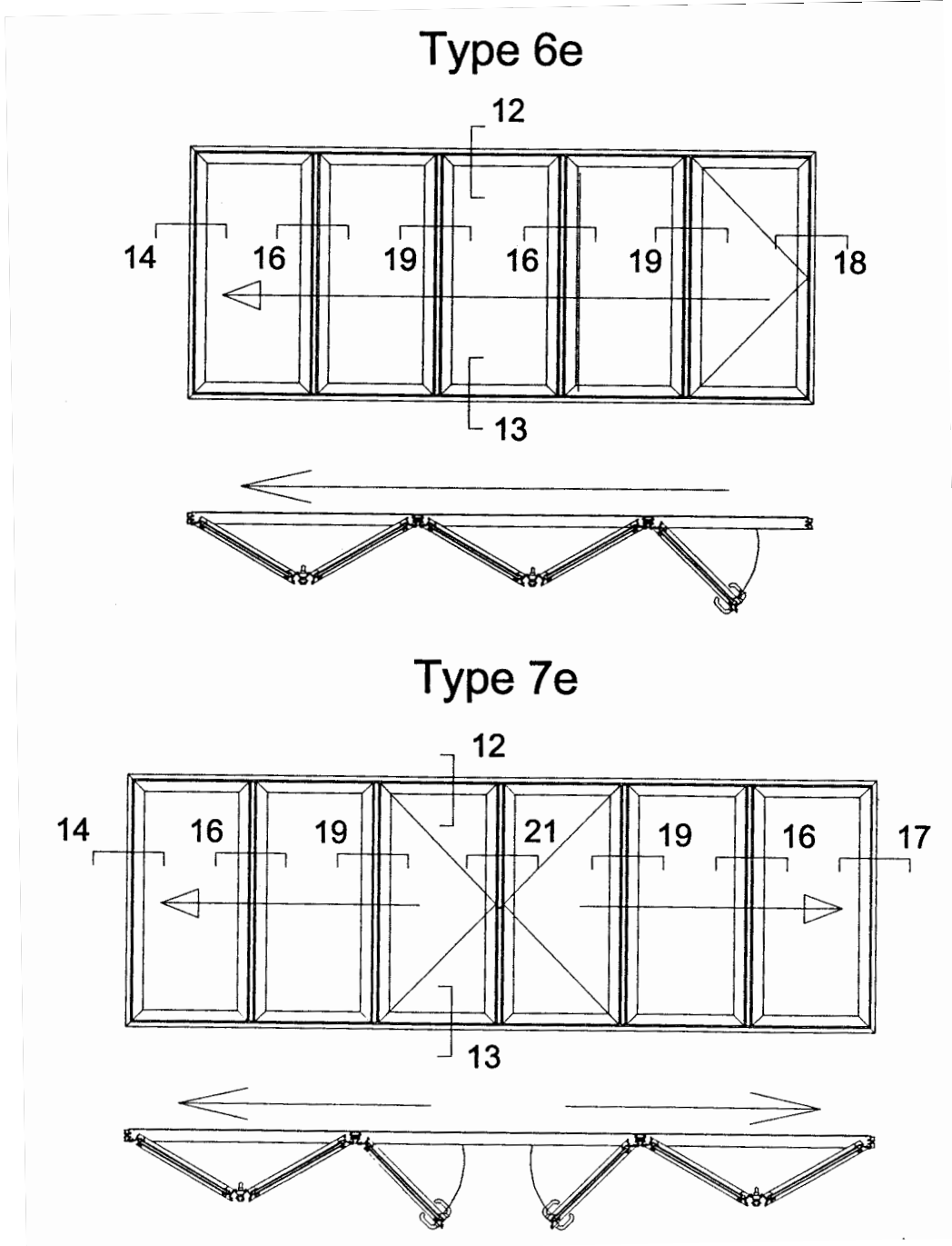


**POLYAMIDE THERMAL BREAK—INWARD or OUTWARD OPENING OPTIONS
SECURITY LOCKING—P.P.C. FINISH in RAL COLOURS**

TYPICAL CONFIGURATIONS:

TYPE e

OUTWARD OPENING



**POLYAMIDE THERMAL BREAK—INWARD or OUTWARD OPENING OPTIONS
SECURITY LOCKING—P.P.C. FINISH in RAL COLOURS**